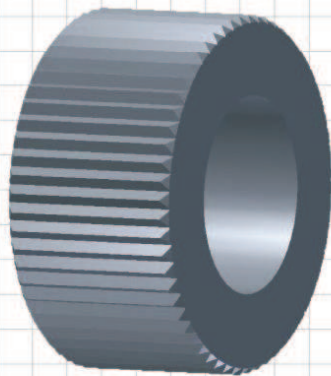
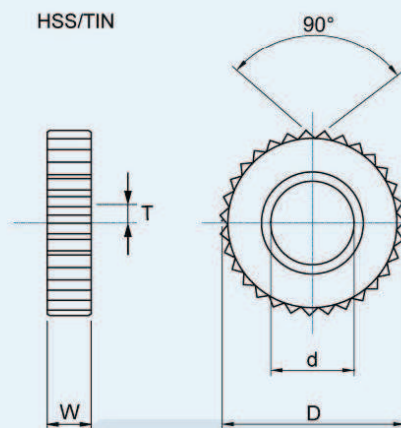


壓花輪 / Rolls For Knurling By Deformation



樣式：RDAA
旋角：0°
Type：RDAA
Spiral angle=0°



直花
Straight knurl

產品規格 Model No.	齒距 pitch	尺寸 Dimensions			適用刀柄 Adaptable Holders
		外徑D	厚度W	孔徑d	
RDAA-150504-0004	0.4	15	5	4	PRCSR-1254 or PRCSR-1654
RDAA-150504-0005	0.5				
RDAA-150504-0006	0.6				
RDAA-150504-0007	0.7				
RDAA-150504-0008	0.8				
RDAA-150504-0010	1.0				
RDAA-150504-0012	1.2				
RDAA-150504-0015	1.5				
RDAA-200806-0004	0.4	20	8	6	PRCSR-2086 or PRCSR-2586
RDAA-200806-0005	0.5				
RDAA-200806-0006	0.6				
RDAA-200806-0007	0.7				
RDAA-200806-0008	0.8				
RDAA-200806-0010	1.0				
RDAA-200806-0012	1.2				
RDAA-200806-0015	1.5				
RDAA-200806-00175	1.75				
RDAA-200806-0020	2.0				