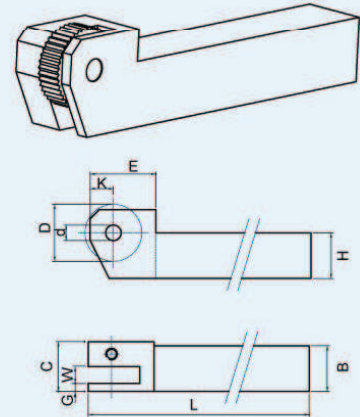


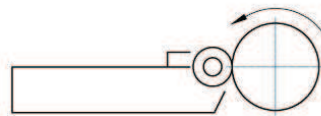
## 壓花刀柄 / Knurling Roll Holder For Knurling By Deformation



樣式：PRCSR  
 採用RDAA、RDGV 壓花輪  
 Type：PRCSR  
 Use RDAA、RDGV Knurling Roll



PRCSR 右手系  
 PRCSR Right-hand series



產品規格 Model No.	尺寸 Dimensions						壓花輪規格 Rolls spec.		
	HXB	L	C	E	G	K			
PRCSR-1254	12X12	120	12	17	2	6	15	5	4
PRCSR-1654	16X16	120	16	17	2	6	15	5	4
PRCSR-2086	20X20	120	20	21.5	2	7.5	20	8	6
PRCSR-2586	25X25	130	25	21.5	3	7.5	20	8	6