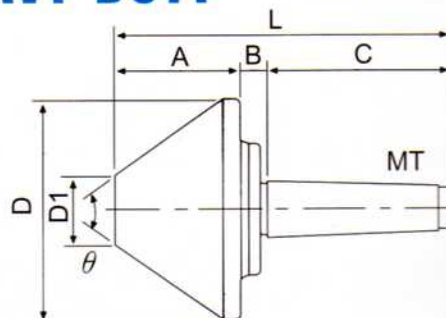


強力型傘形頂針

TYPE:550

BEVEL ROLLING CENTERS FOR HEAVY-DUTY



特性:

- (1) 本體及心軸使用鉻鉬鋼之材質, 經過真空熱處理, 具有高剛性及耐磨性。其頂心頭使用"合金鋼"之材質, 經過熱處理具耐磨性。
- (2) 此頂針使用雙列滾珠軸承及止推軸承, 滾針軸承之組合; 採用航太潤滑油脂, 具耐磨性及防水功能。
- (3) 應用於大孔徑加工。

Characteristics:

- (1) Bull nose center head is made of "Cr-Mo Steel" under heat treatment (HRC60'±2') with wear-resistant quality.
- (2) Center is assembled with cone roller bearing and roller bearing, and adopts lubricant grease with waterproof design.
- (3) Applicable to larger bore processing.
- (4) Loading (Wt) is counted complying with (R.P.M.=100).

單位:m/m

產品編號 STYLE No.	產品規格 MODEL No.	A	B	C	D	D1	L	Co.精度 Accuracy	Max. R.P.M	Max. Wt	θ
550-02050-0260	MT2C-50-12-60°	42	22	69	50	12	133	0.005	4000	200	60°
550-02063-0260	MT2A-63-12-60°	46	17	69	63	12	132	0.005	4000	200	60°
550-02078-0370	MT2-78-15-70°	52	18	69	78	15	139	0.005	3300	400	70°
550-03050-0260	MT3E-50-12-60°	42	22	86	50	12	150	0.005	4000	200	60°
550-03063-0260	MT3C-63-12-60°	46	17	86	63	12	149	0.005	4000	200	60°
550-03078-0370	MT3A-78-15-70°	52	18	86	78	15	156	0.005	3300	400	70°
550-03106-0475	MT3-106-25-75°	59	16	86	106	25	161	0.005	3000	500	75°
550-03128-0575	MT3B-128-40-75°	73	12	86	128	40	171	0.005	2000	650	75°
550-04050-0260	MT4H-50-12-60°	42	22	108	50	12	172	0.005	4000	200	60°
550-04063-0260	MT4F-63-12-60°	46	17	108	63	12	171	0.005	4000	200	60°
550-04078-0370	MT4C-78-15-70°	52	18	108	78	15	178	0.005	3300	400	70°
550-04106-0475	MT4A-106-25-75°	59	16	108	106	25	183	0.005	3000	500	75°
550-04128-0575	MT4-128-40-75°	73	12	108	128	40	193	0.005	2000	650	75°
550-04156-0675	MT4B-156-45-75°	88	12	108	156	45	208	0.005	1900	800	75°
550-04178-0775	MT4D-178-57-75°	91	12	108	178	80	211	0.005	1700	1000	75°
550-04206-0875	MT4E-206-81-75°	98	12	108	206	80	218	0.005	1500	1300	75°
550-04258-1075	MT4G-258-92-75°	107	13	108	256	92	228	0.005	1200	2000	75°
550-05078-0370	MT5E-78-15-70°	52	18	136	78	15	206	0.005	3300	400	70°
550-05106-0475	MT5C-106-25-75°	59	16	136	106	25	211	0.005	3000	500	75°
550-05128-0575	MT5A-128-40-75°	73	12	136	128	40	221	0.005	2000	650	75°
550-05156-0675	MT5-156-45-75°	88	12	136	156	45	236	0.005	1900	800	75°
550-05178-0775	MT5B-178-57-75°	91	12	136	178	80	239	0.005	1700	1000	75°
550-05206-0875	MT5D-206-81-75°	98	12	136	206	80	246	0.005	1500	1600	75°
550-05258-1075	MT5F-258-92-75°	107	13	136	258	92	256	0.005	1200	2200	75°
550-05306-1290	MT5H-306-120-90°	107	30	136	306	120	273	0.005	1000	3000	90°
550-06128-0575	MT6C-128-40-75°	73	12	190	128	40	275	0.005	2000	650	75°
550-06156-0675	MT6A-156-45-75°	88	12	190	156	45	290	0.005	1900	800	75°
550-06178-0775	MT6-178-57-75°	91	12	190	178	80	293	0.005	1700	1000	75°
550-06206-0875	MT6B-206-81-75°	98	12	190	206	80	300	0.005	1500	2000	75°
550-06258-1075	MT6D-258-92-75°	107	13	190	258	92	310	0.005	1200	2500	75°
550-06306-1290	MT6H-306-120-90°	107	13	190	258	92	310	0.005	1000	3000	90°